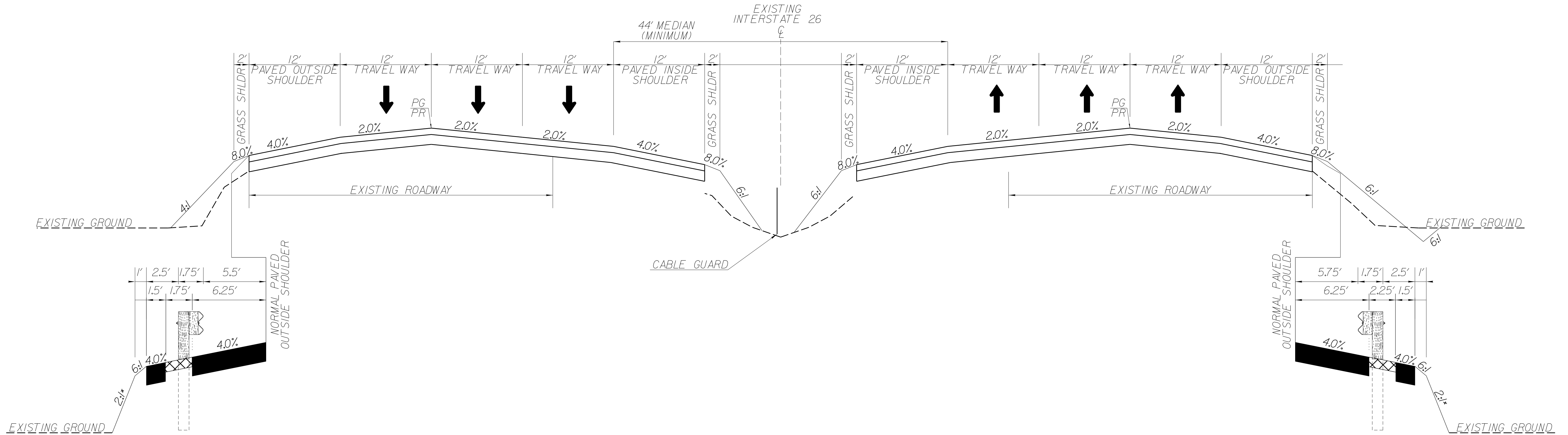




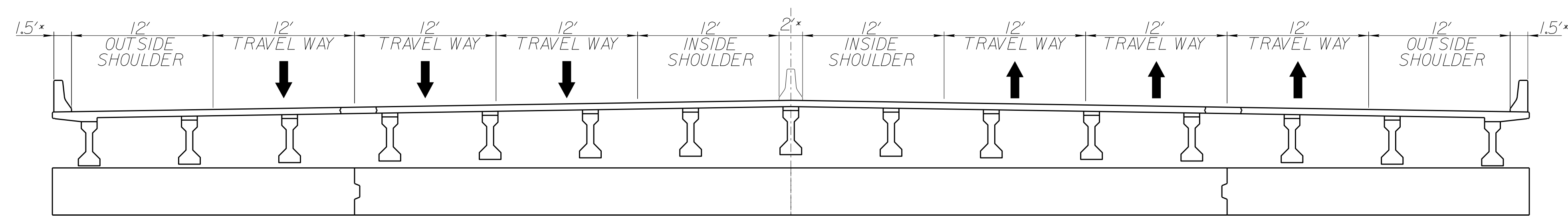
INTERCHANGE IMPROVEMENTS



INTERSTATE 26 TYPICAL SECTION



INTERSTATE 26 BRIDGE OVER CYPRESS SWAMP TYPICAL SECTION



* PERMANENT BARRIER